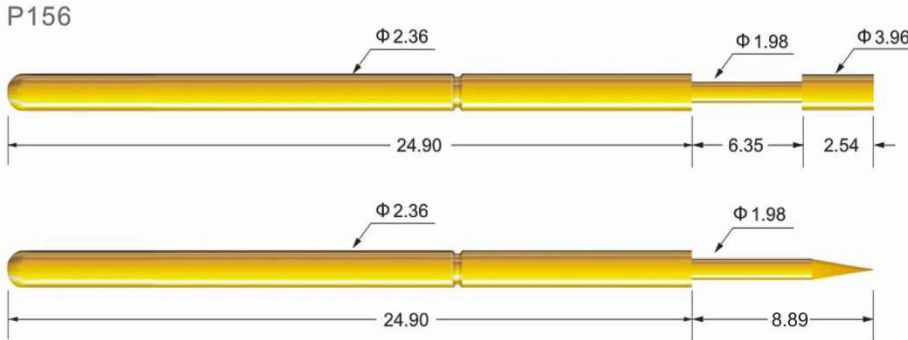
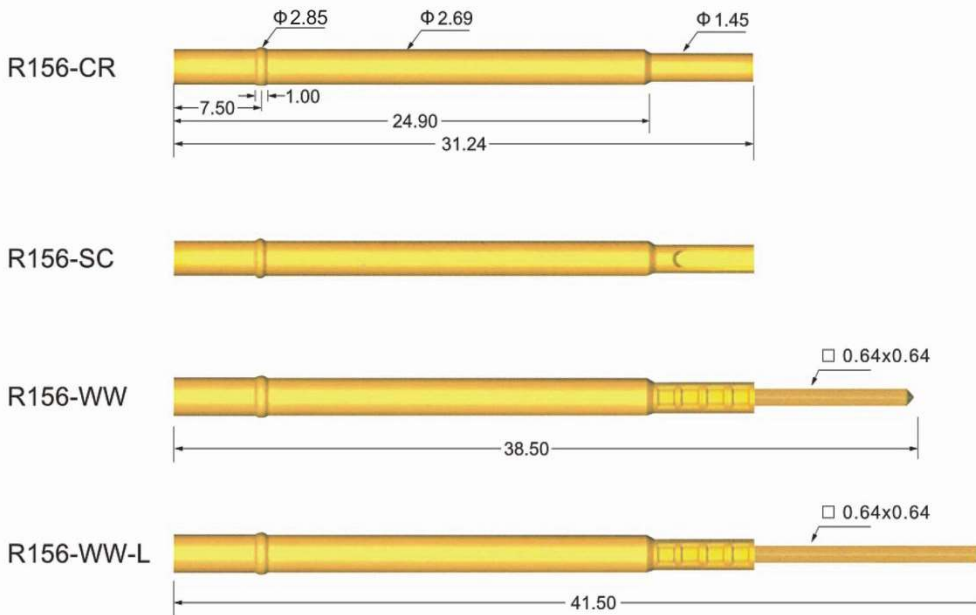


Centalic Series-P156

Probe 針



Receptacle 針套



Technical Specifications

Recommended	
Minimum Center	3.96mm(156mil)
Current Rating	5amps, continuous
Contact Resistance	50milliohms
Mounting Hole Size	Φ1.75mm
Full Stroke	6.35mm
Rated Stroke	4.32mm
Spring Force	113/198/255/285gf(4.0/7.0/9.0/10.0 oz)

Materials

Receptacle	Bronze, Gold Plated
Contact Barrel	Bronze, Gold Plated
Spring	Music Wire, Gold Plated
Plunger	BeCu, Nickel Plated or Gold Plated

技術規格簡介

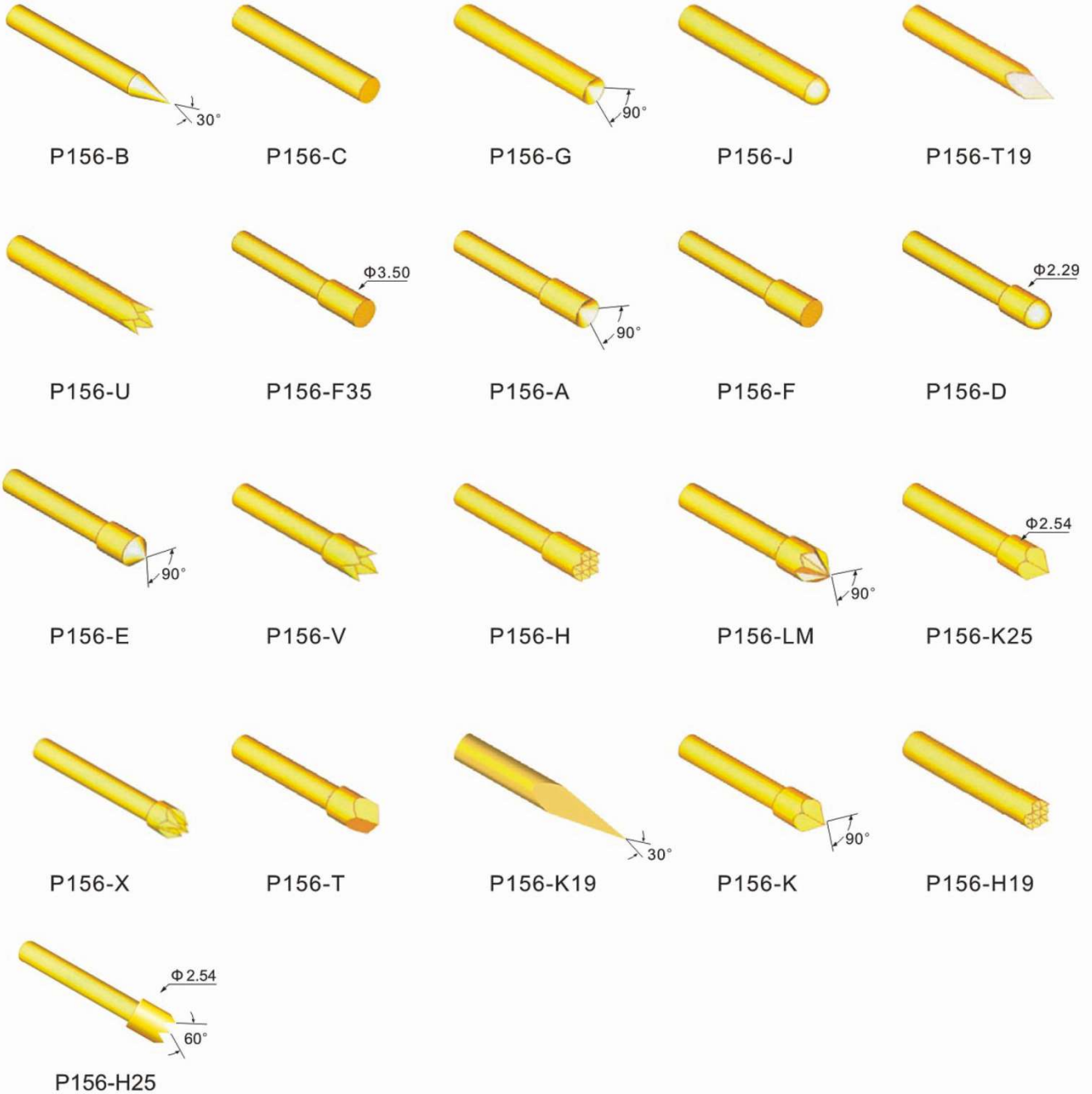
建議採用的	
最小值中心距	3.96mm(1565mil)
額定電流	5安培, 連續
額定電阻	50 毫歐姆
安裝孔徑	Φ 1.75mm
滿衝程	6.35mm
額定衝程	4.32mm
額定彈力	113/198/255/285gf(4.0/7.0/9.0/10.0 oz)

材 料

接觸套	磷銅, 鍍金
接觸筒	磷銅, 鍍金
彈 簧	琴綫, 鍍金
針 杆	鈹銅, 鍍鎳或鍍金

Test Centers-156mil (3.96mm)
測試中心距-156mil (3.96mm)

Tip Styles 針頭類型



How To Order: Spring Contact Probe				Receptacle	
P156	F	4	G	R156	CR
Series	Tip Style	Spring Force (oz)	Plating Options [G- Gold Plated]	Series	Terminations
Series : P156	Tip Style : B,G,C,J	Spring Force: 4oz		Terminations: CR	

如何訂購：彈弓測試針				針套	
P156	F	4	G	R156	CR
系列	針頭類型	彈力 (oz)	電鍍 (G-鍍金)	系列	接線端
系列: P156	頭型: B,G,C,J	彈力: 4oz		接線端: CR	